



Gigabit Transformer Modules With Power Over Ethernet Option



RoHS Compliant

PART NUMBERING SYSTEM

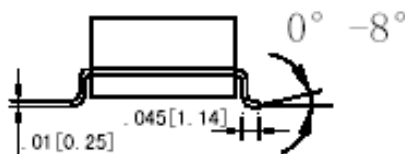
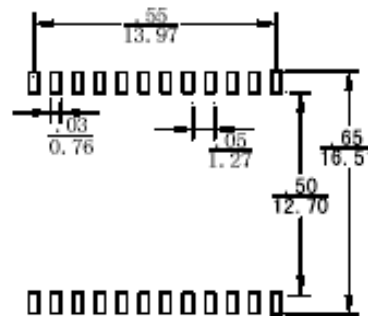
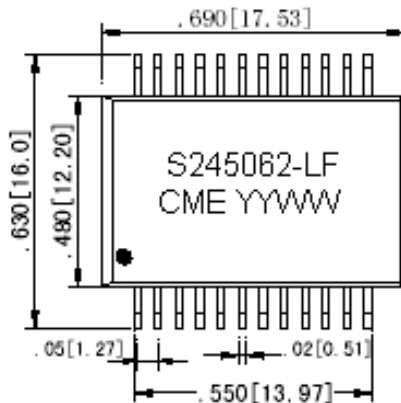


FEATURES

- Meets IEEE 802.3 specification
- For RoHS part add suffix LF
- RoHS compliant peak solder rating 235°C

SHAPES AND DIMENSIONS

Mechanicals



Dimensions: $\frac{\text{INCH}}{\text{MM}}$ Unless otherwise specified are ± 0.01



Gigabit Transformer Modules With Power Over Ethernet Option

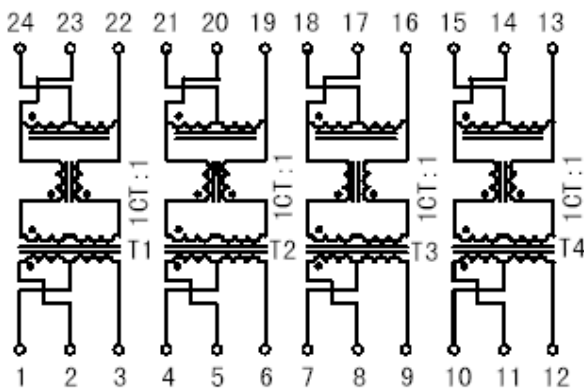


FEATURES

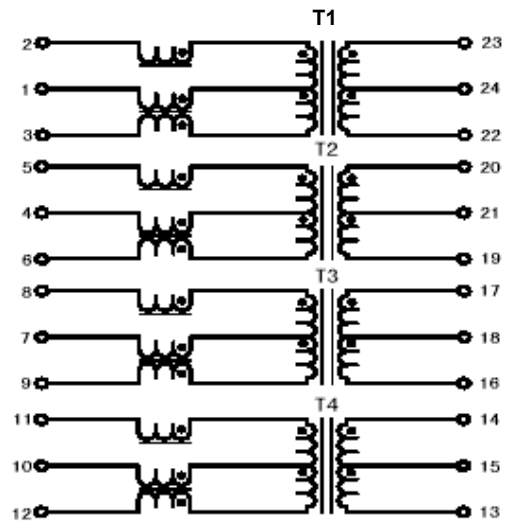
- Meets IEEE 802.3 specification
- For RoHS part add suffix LF
- RoHS compliant peak solder rating 235°C

Schematics

S24-5062-LF



S24-6062-LF



ELECTRICAL CHARACTERISTICS @ 25°C --- Operating Temperature 0°C to 70°C

PART NUMBER	PoE	Turns Ratio		Insertion Loss (dB Max)			Return loss (Zout =100Ω±15% Min) MHz				Crosstalk (dB Min) MHz			Hipot (Vrms Min)
		TX	RX	0.1MHz	100MHz	125MHz	30	60	80	100	30	60	100	
S24-5062-LF	No	1:1	1:1	-1.1	-1.0	-2.0	-18	-12	-12	-10	-43	-37	-33	1500
S24-6062-LF	Yes	1:1	1:1	-1.1	-1.0	-2.0	-18	-12	-12	-10	-43	-37	-33	1500